



Proximity Sensors, Inductive Sensors, cylindrical

### Properties

- Ø8 mm housing
- 4 mm, virtually flush mountable
- DC, 3-wire switching output
- Cable and connector versions

### Technical Data

For detailed data and product description refer to the data sheets at [www.pepperl-fuchs.com](http://www.pepperl-fuchs.com)

#### General Data

Rated operating distance	4 mm
Installation	virtually flush
Switching element function	PNP NO
Type of voltage	DC
Operating voltage	10 ... 30 V DC
No-load supply current	≤ 10 mA
Reverse polarity protection	✓
Operating current	0 ... 200 mA
Switching frequency	0 ... 500 Hz
Short-circuit protection	pulsing
Indication of the switching state	LED, yellow
Ambient temperature	-25 ... 70 °C (-13 ... 158 °F)
Protection degree	IP67
Housing material	chromium plated brass

#### Model Number

	NEB4-8GM45-E2	NEB4-8GM50-E2-V3
Connection type	Device connector M8 x 1 , 3-pin cable PUR , 2 m	Device connector M8 x 1 , 3-pin cable PUR , 2 m

#### Approvals and Certificates

UL approval	cULus Listed, General Purpose	●	●
CSA approval	cCSAus Listed, General Purpose	●	●
CCC approval	Products with a maximum operating voltage of ≤36 V do not bear a CCC marking because they do not require approval.		

#### Dimensions

Length L [mm]	45	60
Diameter D [mm]	8	
Thread length $l_t$ [mm]	45	
Cap length $l_1$ [mm]	0	
Connector area $l_c$ [mm]	0	6
LED position	Pos. A	

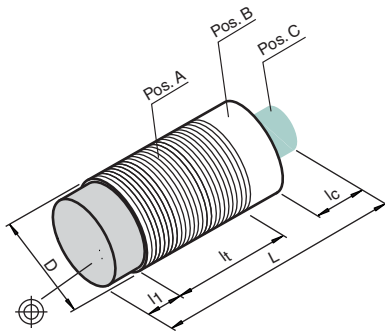
### Accessories

This and more accessories can be found in chapter 10

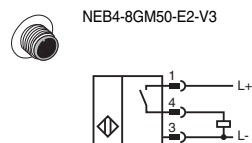
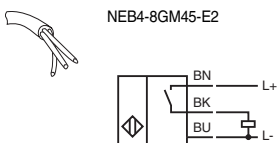
See pages from 972 ... for cordsets

See pages 1068 ... for mounting aids

<b>BF 8</b>	Mounting flange, 8 mm
<b>V3-GM</b>	Female connector, M8, 3-pin, field attachable
<b>V3-GM-2M-PUR</b>	Cable socket, M8, 3-pin, PUR cable
<b>V3-WM-2M-PUR</b>	Cable socket, M8, 3-pin, PUR cable



### Electrical Connection



Wire colors in accordance with EN 60947-5-2

1	BN	(brown)
2	WH	(white)
3	BU	(blue)
4	BK	(black)